



## Log Cabin "DSN" series 3.5×3

Project Dimensions

3.5 × 3 / 8.7 m<sup>2</sup>

Full house set

**2,000 €**

### Timber



45 MM



65 MM  
+ 476 €



## Project planning

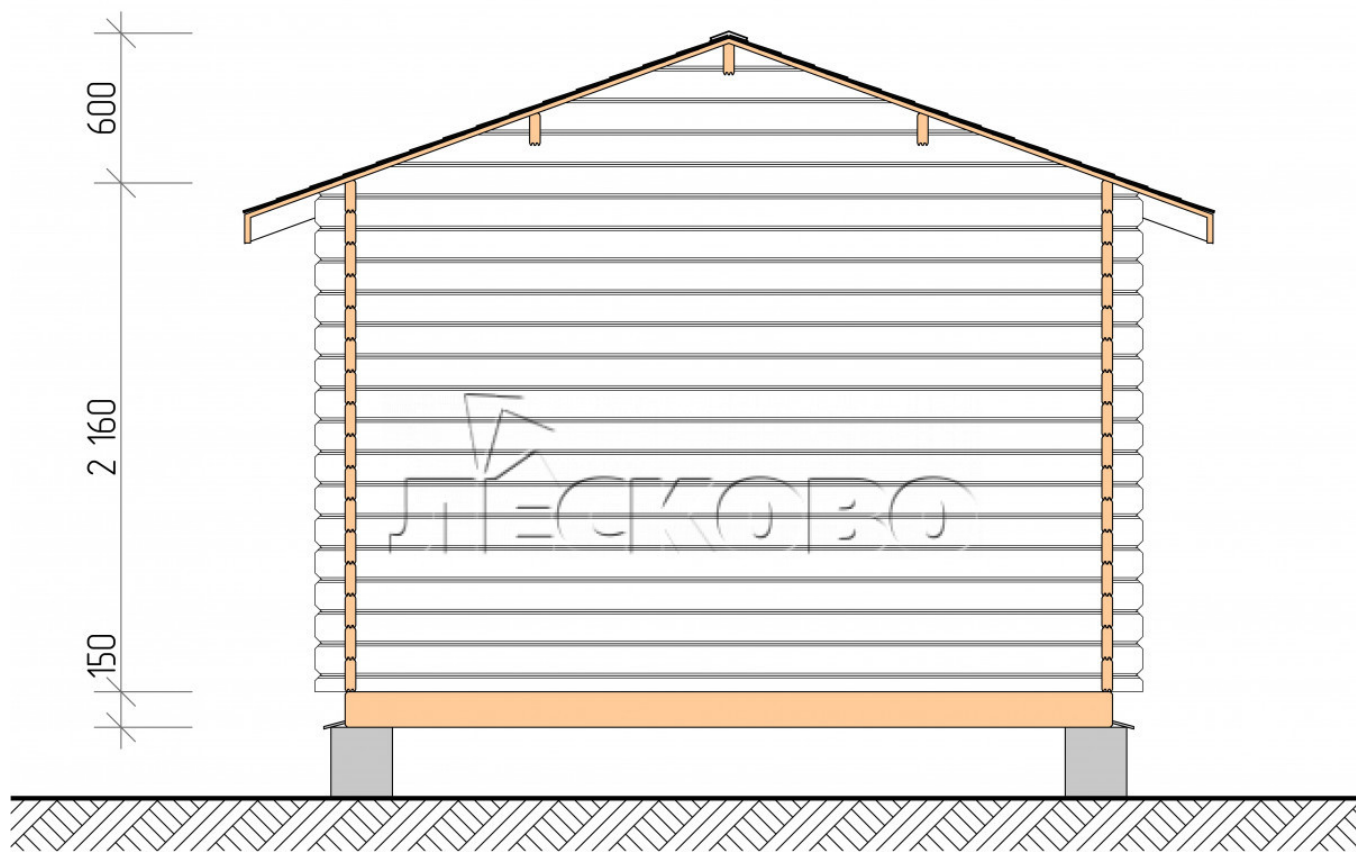


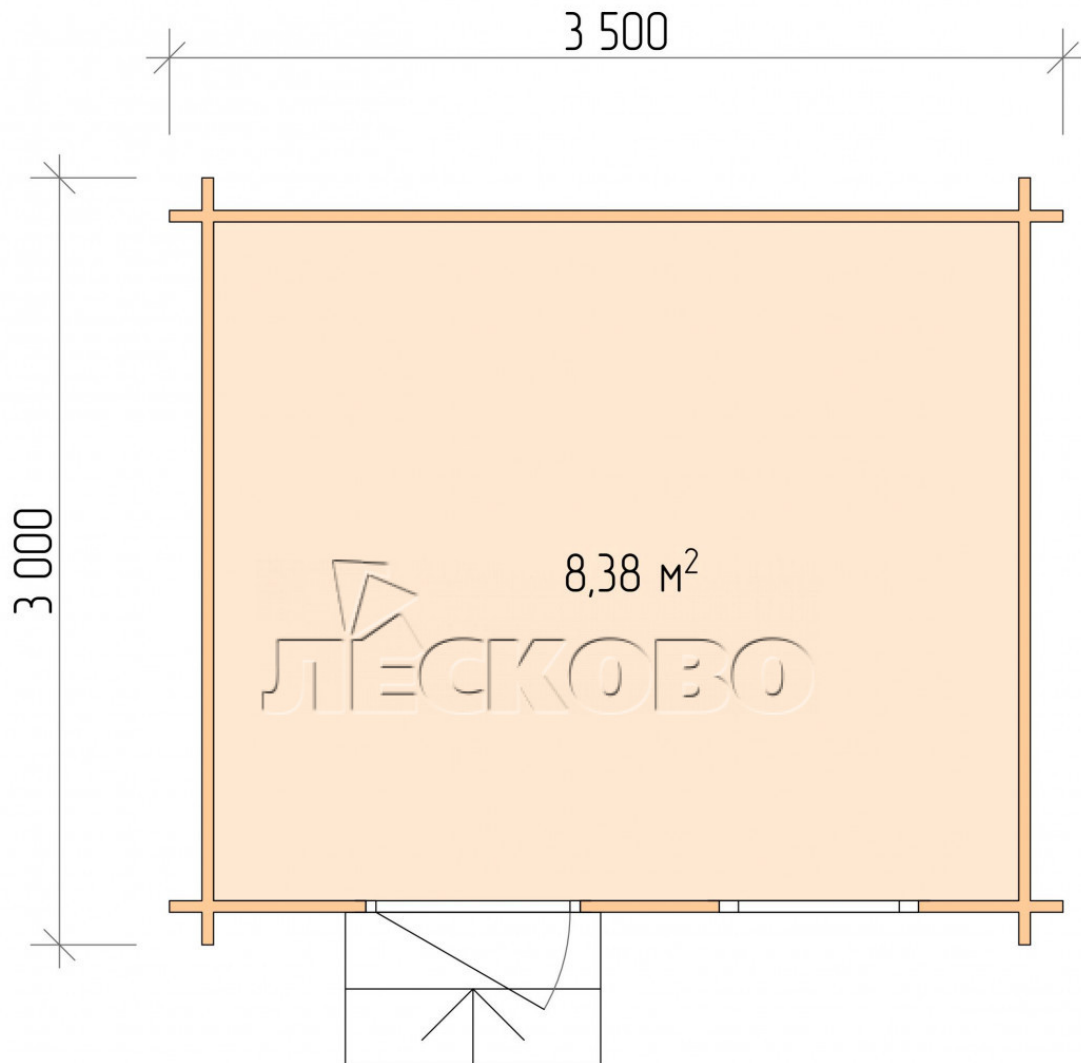
3 500



3 000

# Разрез





## House Kit

- Wall kit: 44 × 145mm mini-chamber drying chamber with bowls for the project. The material of the tree is spruce, pine (GOST 8486). Humidity 12-14%. The height of the walls is 2.16 m;
- Logs, lower harness: board 45 × 145 mm chamber drying 10-12%;
- Floors: floorboard 35 mm, Chamber drying;
- Ceiling: imitation of a bar 20 × 135 mm, Chamber drying;
- Wooden windows, glass 4 mm, Single. Treatment with a colorless antiseptic. Hardware;





0.87×0.78 м.1 шт.

- Wooden doors;

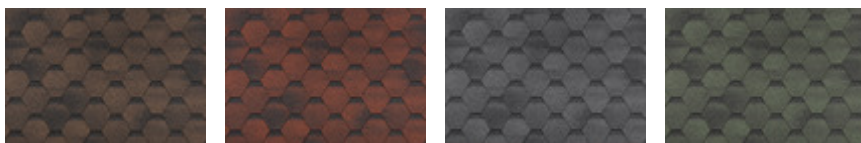


0.84×1.885 м.

glass.1 шт.

7. Platbands: dry planed board 20 × 100 mm;

8. Roof: shingles.



9. Skirting board 35 mm.

+7 (927) 738-08-11

г. Самара, ул. Дачная, д. 28, оф. 7